

General Description

The LA8508A is a current mode, synchronous step-down DC-DC converter that is designed to meet 2A output current, and utilizes PWM control scheme that switches with 380KHz fixed frequency.

The input voltage range of LA8508A is from 4.5V to 18V, and available in adjustable output voltage from 0.925V to 12V. The supply current is only 1.2mA during operation and under 1uA in shutdown.

This device provides an enable function that can be controlled by external logic signal. It also provides excellent regulation during line or load transient due to the current mode operation. Other features of current limit, soft-start, thermal shutdown protection, and short circuit protection are also included. Due to the low $R_{DS(ON)}$ of the internal power MOSFET, this device provides high efficiency step-down applications. It is available in SOP-8 and ESOP-8 packages.

Ordering Information

LA8508A 1 2 3 4

- 1 (Package Type) => J: SOP
P: ESOP
- 2 (Number of Pins) => G: 8pin
- 3 (Output Voltage) => Blank: Adjustable
- 4 (Special Feature) => Blank: N/A

Available Part Number

LA8508AJG
LA8508APG

Features

- | Continuous 2A Output Capability
- | Reference Voltage 0.925V +/- 2%
- | 4.5V to 18V Input Voltage Range
- | Adjustable Output from 0.925V to 12V
- | 380KHz Oscillation Frequency
- | 1uA Low Shutdown Current
- | 1.2mA Low Supply Current
- | Current Mode for Excellent Response
- | Support Low ESR Output Ceramic Capacitors
- | Internal Current Limit
- | Soft-Start
- | Short Circuit Protection
- | Thermal Shutdown Protection
- | SOP-8 & ESOP-8 Packages
- | Meet RoHS Standard

Applications

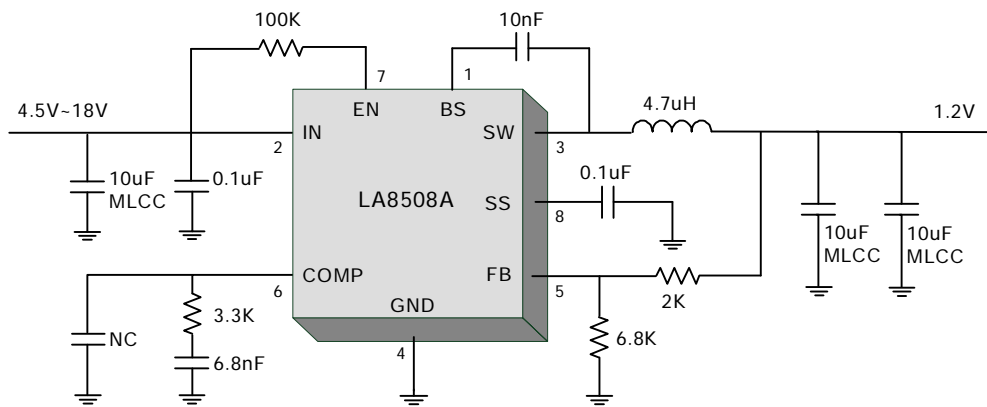
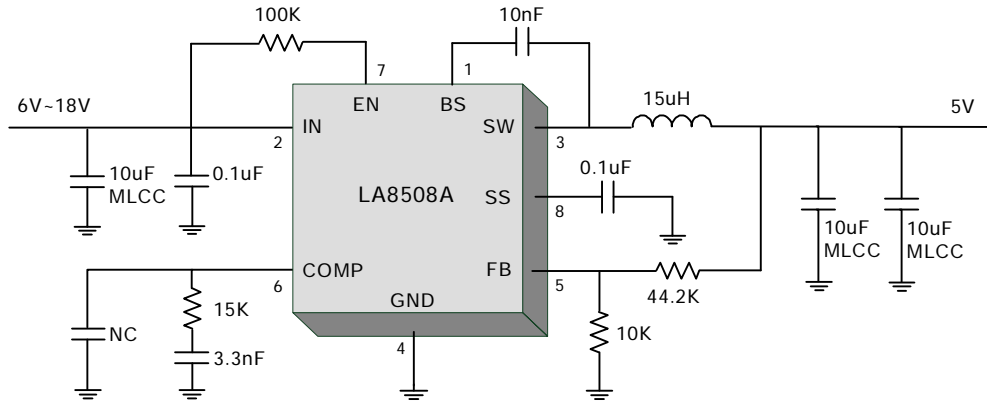
- | Broadband Communication Device
- | LCD TV / Monitor
- | Storage Device
- | Wireless Application

Marking Information

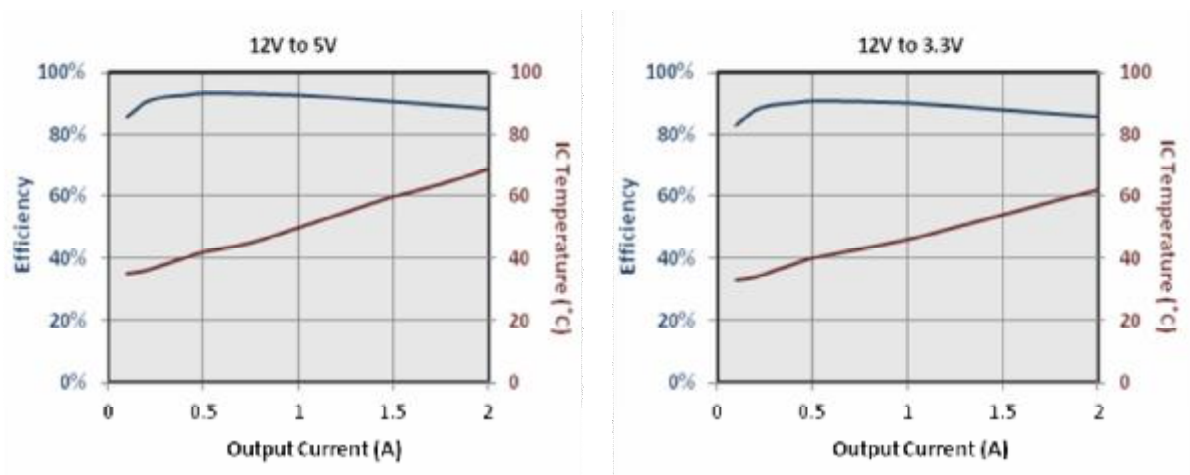


- 1 2 (Date Code)
For date code rule, please contact our sales representative directly
- 3 4 (Internal Code)

Typical Application



Efficiency & Thermal Performance



Quick Design Table

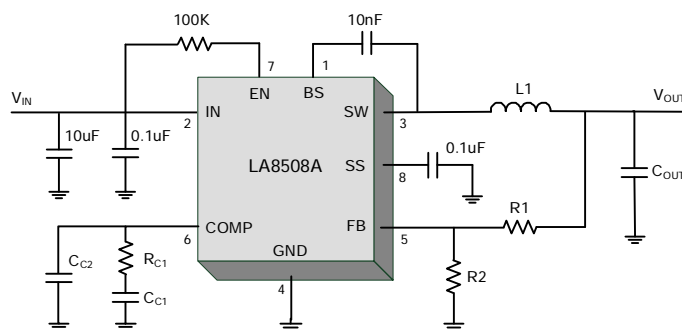
(1). Voltage Divider and Inductor Selection Table

($I_{OUT} = 2A, \Delta I_L = 0.6A$)

L1: Recommended Inductor

R1: Output Voltage Divider

R2: Output Voltage Divider



| $V_{IN} \backslash V_{OUT}$ | 1.2V | 1.8V | 2.5V | 3.3V | 5V | 9V |
|-----------------------------|--|--|--|---|---|--|
| 5V | L1 : 4.7uH R1 : 2KOhm R2 : 6.8KOhm | L1 : 4.7uH R1 : 3KOhm R2 : 3.2KOhm | L1 : 6.8uH R1 : 5.1KOhm R2 : 3KOhm | L1 : 4.7uH R1 : 10KOhm R2 : 3.9KOhm | | |
| 9V | L1 : 4.7uH R1 : 2KOhm R2 : 6.8KOhm | L1 : 6.8uH R1 : 3KOhm R2 : 3.2KOhm | L1 : 6.8uH R1 : 5.1KOhm R2 : 3KOhm | L1 : 10uH R1 : 10KOhm R2 : 3.9KOhm | L1 : 10uH R1 : 44.2KOhm R2 : 10KOhm | |
| 12V | L1 : 4.7uH R1 : 2KOhm R2 : 6.8KOhm | L1 : 6.8uH R1 : 3KOhm R2 : 3.2KOhm | L1 : 10uH R1 : 5.1KOhm R2 : 3KOhm | L1 : 10uH R1 : 10KOhm R2 : 3.9KOhm | L1 : 15uH R1 : 44.2KOhm R2 : 10KOhm | L1 : 15uH R1 : 59KOhm R2 : 6.8KOhm |

(2). Output Capacitor and Compensation Component Selection Table

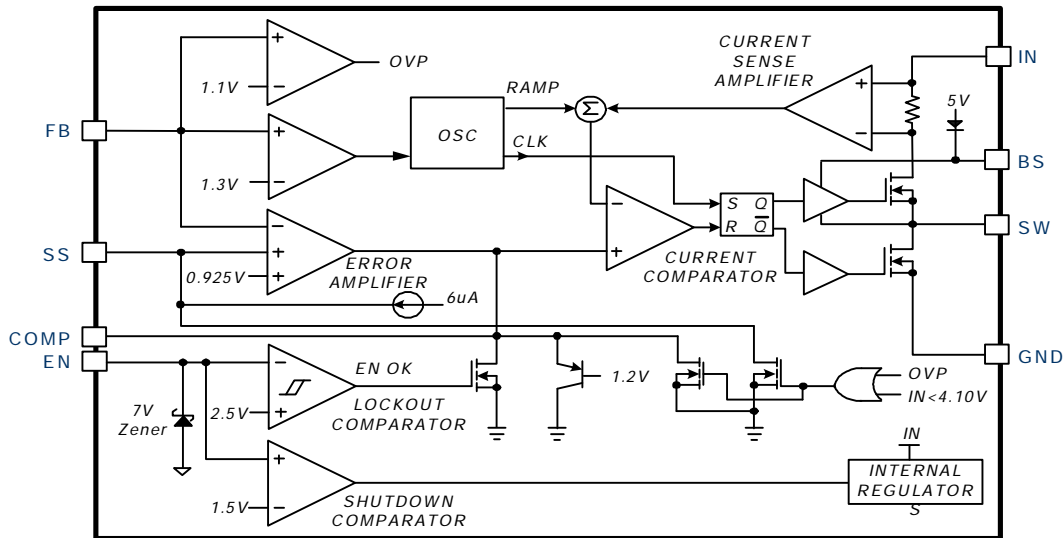
R_{C1}: Compensation Resistor

C_{C1}: 1'st Compensation Capacitor

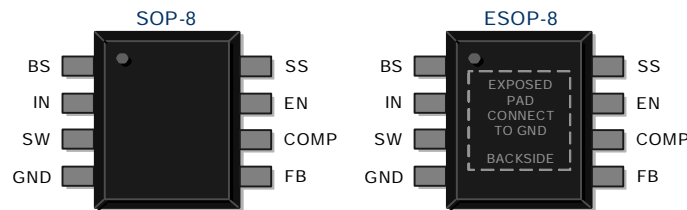
C_{C2}: 2'nd Compensation Capacitor

| $C_{OUT} \backslash V_{OUT}$ | 1.2V | 1.8V | 2.5V | 3.3V | 5V | 9V |
|--|--|--|--|--|---|--|
| 22uF ESR ≈ 5mΩ (MLCC) | R _{C1} : 1.8KOhm C _{C1} : 6.8nF C _{C2} : NC | R _{C1} : 2.5KOhm C _{C1} : 6.8nF C _{C2} : NC | R _{C1} : 3.3KOhm C _{C1} : 6.8nF C _{C2} : NC | R _{C1} : 4.7KOhm C _{C1} : 6.8nF C _{C2} : NC | R _{C1} : 6.8KOhm C _{C1} : 6.8nF C _{C2} : NC | R _{C1} : 12KOhm C _{C1} : 6.8nF C _{C2} : NC |
| 47uF ESR ≈ 5mΩ (MLCC) | R _{C1} : 3.3KOhm C _{C1} : 6.8nF C _{C2} : NC | R _{C1} : 5.1KOhm C _{C1} : 4.7nF C _{C2} : NC | R _{C1} : 7.9KOhm C _{C1} : 3.3nF C _{C2} : NC | R _{C1} : 10KOhm C _{C1} : 3.3nF C _{C2} : NC | R _{C1} : 15KOhm C _{C1} : 3.3nF C _{C2} : NC | R _{C1} : 25KOhm C _{C1} : 3.3nF C _{C2} : NC |
| 47uF ESR ≈ 15mΩ (SMD Polymer) | R _{C1} : 3.3KOhm C _{C1} : 4.7nF C _{C2} : NC | R _{C1} : 5.1KOhm C _{C1} : 3.3nF C _{C2} : NC | R _{C1} : 6.8KOhm C _{C1} : 3.3nF C _{C2} : NC | R _{C1} : 10KOhm C _{C1} : 2.2nF C _{C2} : NC | R _{C1} : 15KOhm C _{C1} : 2.2nF C _{C2} : NC | R _{C1} : 27KOhm C _{C1} : 1nF C _{C2} : NC |
| 330uF ESR ≈ 300mΩ (Std. AL. E-Cap) | R _{C1} : 22KOhm C _{C1} : 2.2nF C _{C2} : 3.9nF | R _{C1} : 33KOhm C _{C1} : 2.2nF C _{C2} : 2.2nF | R _{C1} : 51KOhm C _{C1} : 2.2nF C _{C2} : 1.8nF | R _{C1} : 68KOhm C _{C1} : 2.2nF C _{C2} : 1.2nF | R _{C1} : 100KOhm C _{C1} : 2.2nF C _{C2} : 820pF | R _{C1} : 180KOhm C _{C1} : 1nF C _{C2} : 390pF |
| 330uF ESR ≈ 50mΩ (Low ESR E-Cap) | R _{C1} : 27KOhm C _{C1} : 2.2nF C _{C2} : 680pF | R _{C1} : 39KOhm C _{C1} : 2.2nF C _{C2} : 470pF | R _{C1} : 51KOhm C _{C1} : 1nF C _{C2} : 330pF | R _{C1} : 68KOhm C _{C1} : 1nF C _{C2} : 220pF | R _{C1} : 100KOhm C _{C1} : 470pF C _{C2} : 120pF | R _{C1} : 180KOhm C _{C1} : 470pF C _{C2} : 82pF |

Functional Block Diagram



Pin Configurations



| Pin No. | Name | Description |
|---------|------|---|
| 1 | BS | Bootstrap. This pin provides power for the high side switch. Connect 10nF or greater from BS to SW to power the switch. |
| 2 | IN | Power Input. The capacitance of 0.1uF+10uF or greater must be connected from this pin to ground to bypass noise on the input of the IC. |
| 3 | SW | Power Switch Output. This pin is the switching node that supplies power to the output. Connect an L-C filter from SW to the output load. |
| 4 | GND | Ground. Connect this pin to the circuit ground. |
| 5 | FB | Feedback. This pin senses the feedback to regulate the output voltage. Connect FB to a voltage divider to set the output voltage. |
| 6 | COMP | Compensation Node. Connect a series R-C network from COMP to GND to compensate the regulation control loop. |
| 7 | EN | Enable Input. Drive EN HIGH to turn on the regulator, drive EN LOW to turn it off. Pull up with 100KOhm resistor for automatic startup. |
| 8 | SS | Soft-Start Control Input. Connect a capacitor from SS to GND to set the Soft-Start period. Leave SS unconnected if this function is not used. |

Absolute Maximum Ratings

| Parameter | Rating |
|-------------------------------------|-----------------------------|
| Input Voltage | 20V |
| SW Voltage Range | -1V ~ $V_{IN}+0.3V$ |
| BS Voltage Range | $V_{SW}-0.3V$ ~ $V_{SW}+6V$ |
| FB / EN / COMP Voltage Range | -0.3V ~ 6V |
| Storage Temperature Range | -65°C ~ 150°C |
| Junction Temperature | 150°C |
| Lead Soldering Temperature (10 sec) | 260°C |

These are stress ratings only and functional operation is not implied. Exposure to absolute maximum ratings for prolonged time periods may affect device reliability. All voltages are with respect to ground.

Recommended Operating Conditions

| Parameter | Rating |
|----------------------------|---------------|
| Input Voltage Range | 4.5V ~ 18V |
| Ambient Temperature Range | -40°C ~ 85°C |
| Junction Temperature Range | -40°C ~ 125°C |

These are conditions under which the device functions but the specifications might not be guaranteed. For guaranteed specifications and test conditions, please see the *Electrical Specifications*.

Package Information

| Parameter | Package | Symbol | Rating |
|---|---------|---------------|----------|
| Thermal Resistance (Junction to Case) | SOP-8 | θ_{JC} | 40 °C/W |
| | ESOP-8 | | 10 °C/W |
| Thermal Resistance (Junction to Ambient) | SOP-8 | θ_{JA} | 105 °C/W |
| | ESOP-8 | | 50 °C/W |

Electrical Specifications

$V_{IN}=12V$, $T_A=25^{\circ}C$, unless otherwise noted.

| Parameter | Test Condition | Min. | Typ. | Max. | Units |
|--|---------------------------------|-------|-------|-------|-------------|
| FB Voltage | $V_{IN}=4.5V \sim 16V$ | 0.905 | 0.925 | 0.943 | V |
| Oscillation Frequency | | | 380 | | KHz |
| Short Circuit Frequency | $V_{FB}=0V$ | | 100 | | KHz |
| Maximum Duty Cycle | $V_{FB}=0.8V$ | | | 92 | % |
| Minimum ON Time | | | | 150 | ns |
| High Side MOSFET $R_{DS(ON)}$ | | | 160 | | m Ω |
| Low Side MOSFET $R_{DS(ON)}$ | | | 140 | | m Ω |
| Current Limit | | | 3.5 | | A |
| Error Amp. Voltage Gain, A_{VEA} | | | 480 | | V/V |
| Error Amp. Transconductance, G_{EA} | $\Delta I_{COMP} = \pm 10\mu A$ | | 800 | | $\mu A/V$ |
| Current Sense Transconductance, G_{CS} | | | 4 | | A/V |
| Supply Current | $V_{FB}=1V$ | | 1.2 | | mA |
| Shutdown Current | $V_{EN}=0V$ | | 1 | | μA |
| Under-Voltage Lockout, UVLO | V_{IN} Rising | 3.8 | 4.1 | 4.4 | V |
| UVLO Threshold Hysteresis | | | 100 | | mV |
| EN Shutdown Threshold Voltage | V_{EN} Rising | 1.1 | 1.4 | 2 | V |
| EN Shutdown Hysteresis | | | 200 | | mV |
| SW Leakage Current | $V_{EN}=0V$, $V_{SW}=0V$ | | 0.3 | | μA |
| Soft-start Current, I_{SS} | $I_{SS}=0V$ | | 6 | | μA |
| Soft-start Period | $C_{SS}=0.1\mu F$ | | 15 | | ms |
| Over Temperature Shutdown | Hysteresis= $25^{\circ}C$ | | 160 | | $^{\circ}C$ |

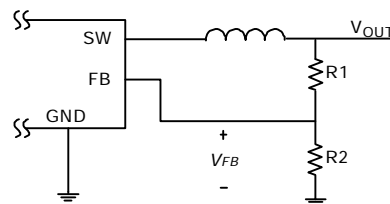
Application Information

Output Voltage Programming

LA8508A develops a band-gap between the feedback pin and ground pin. Therefore, the output voltage can be formed by R1 and R2. Use 1% metal film resistors for the lowest temperature coefficient and the best stability. Select lower resistor value to minimize noise pickup in the sensitive feedback pin, or higher resistor value to improve efficiency.

The output voltage is given by the following formula:

$$V_{OUT} = V_{FB} \times (1 + R1 / R2) \quad \text{where } V_{FB} = 0.925V$$



Under Voltage Lockout

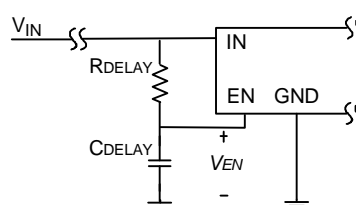
The under voltage lockout (UVLO) prevents this device from turning-on MOSFET at lower input voltage. It avoids wrong operation under undefined conditions. The threshold voltage of UVLO is approximately 4.1V.

Short Circuit Protection

When the output is shorted to ground, the protection circuit will be triggered and force the oscillation frequency down to approximately 100KHz. The oscillation frequency will return to 380KHz once the output voltage or the feedback voltage rises above 0V.

Delay Start-up

The following circuit uses the EN pin to provide a time delay between the input voltage is applied and the output voltage comes up. As the instant of the input voltage rises, the charging of capacitor C_{DELAY} pulls the EN pin low, keeping the device off. Once the capacitor voltage rises above the EN pin threshold voltage, the device will start to operate. The start-up delay time can be calculated by the following formula:



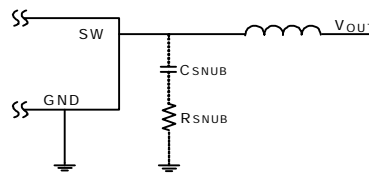
$$V_{IN} \times (1 - e^{-T/(R \times C)}) > V_{EN}$$

Where T is the start-up delay time, R is R_{DELAY}, and C is C_{DELAY}.

This feature is useful in situations where the input power source is limited in the amount of current it can deliver. It allows the input voltage to rise to a higher voltage before the device starts operating.

Snubber Circuit

The simple RC snubber is used for voltage transient and ringing suppression. The high frequency ringing and voltage overshooting at the SW pin is caused by fast switching transition and resonating circuit parasitical elements in the power circuit. It maybe generates EMI and interferes with circuit performance. Reserve a snubber circuit in the PC board is preferred to damp the ringing due to the parasitical capacitors and inductors of layout. The following circuit is a simple RC snubber:



Choose the value of RC network by the following procedure:

- (1) Measure the voltage ringing frequency (f_R) of the SW pin.
- (2) Find a small capacitor and place it across the SW pin and the GND pin to damp the ringing frequency by half.
- (3) The parasitical capacitance (C_{PAR}) at the SW pin is 1/3 the value of the added capacitance above. The parasitical inductance (L_{PAR}) at the SW pin is:

$$L_{PAR} = \frac{1}{(2\pi f_R)^2 \times C_{PAR}}$$

- (4) Select the value of C_{SNUB} that should be more than 2~4 times the value of C_{PAR} but must be small enough so that the power dissipation of R_{SNUB} is kept to a minimum.

The power rating of R_{SNUB} can be calculated by following formula:

$$P_{RSNUB} = C_{SNUB} \times V_{IN}^2 \times f_s$$

- (5) Calculate the value of R_{SNUB} by the following formula and adjust the value to meet the expectative peak voltage.

$$R_{SNUB} = 2\pi \times f_R \times L_{PAR}$$

Thermal Considerations

Thermal protection limits total power dissipation in this device. When the junction temperature reaches approximately 160°C, the thermal sensor signals the shutdown logic turning off this device. The thermal sensor will turn this device on again after the IC's junction temperature cools by approximately 25°C. For continuous operation, do not exceed the maximum operation junction temperature 125°C.

The power dissipation across this device can be calculated by the following formula:

$$P_D = I_{LOAD}^2 \times [R_{ON_T} \times \frac{V_{OUT}}{V_{IN}} + R_{ON_B} \times (1 - \frac{V_{OUT}}{V_{IN}})] + \frac{1}{2} \times V_{IN} \times I_{LOAD} \times (t_r + t_f) \times f_s + V_{IN} \times I_S$$

where R_{ON_T} is the ON resistance of the high-side power MOSFET, R_{ON_B} is ON resistance of the low-side power MOSFET, f_s is the 380KHz switching frequency, $(t_r + t_f)$ is the switching time that is approximately 15ns, and I_S is the 1.2mA supply current.

The maximum power dissipation of this device depends on the thermal resistance of the IC package and PCB layout, the temperature difference between the die junction and ambient air, and the rate of airflow. The maximum power dissipation can be calculated by the following formula:

$$P_{D(MAX)} = \frac{(T_J - T_A)}{\theta_{JA}}$$

Where $T_J - T_A$ is the temperature difference between the die junction and surrounding environment, θ_{JA} is the thermal resistance from the junction to the surrounding environment.

The value of junction to case thermal resistance θ_{JC} is also popular to users. This thermal parameter is convenient for users to estimate the internal junction operated temperature of packages while IC operating. The operated junction temperature can be calculated by the following formula:

$$T_J = T_C + P_D \times \theta_{JC}$$

T_C is the package case temperature measured by thermal sensor. Therefore it's easy to estimate the junction temperature by any condition.

There are many factors affect the thermal resistance. Some of these factors include trace width, copper thickness, total PCB copper area, and etc. For the best thermal performance, wide copper traces and generous amounts of PCB copper should be used in the board layout. If further improve thermal characteristics are needed, double sided and multi-layer PCB with large copper areas and airflow will be recommended.

Layout Considerations

PC board layout is very important, especially for switching regulators of high frequencies and large peak currents. A good layout minimizes EMI on the feedback path and provides best efficiency. The following layout guides should be used to ensure proper operation of this device.

- (1) The power charge path and discharge path which consist of the IN trace, the SW trace, the external inductor and the GND trace should be kept wide and as short as possible.
- (2) The feedback path of voltage divider should be close to the FB pin and keep noisy traces away; also keep them separate using grounded copper.
- (3) The input capacitors should be close to the regulator.
- (4) The output capacitors should be close to the load.

Component Selection

Inductor Selection

The conduction mode of power stage depends on input voltage, output voltage, output current, and the value of the inductor. Select an inductor to maintain this device operating in continuous conduction mode (CCM). The minimum value of inductor can be determined by the following procedure.

(1) Calculate the minimum duty ratio:

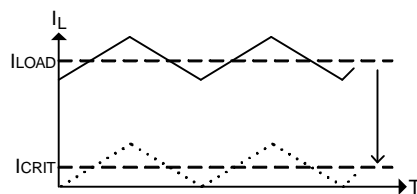
$$D_{(MIN)} = \frac{V_{OUT} + I_{LOAD} \times R_L + V_{DS_T} + V_{DS_B}}{V_{IN(MAX)} - V_{DS_T} + V_{DS_B}} = \frac{T_{ON}}{T_S}$$

Where R_L is the DC resistance of the external inductor, V_{DS_T} is the turn-on voltage of the High-Side MOSFET, V_{DS_B} is the turn-on voltage of the Low-Side MOSFET, and T_S is the switching period.

This formula can be simplified to

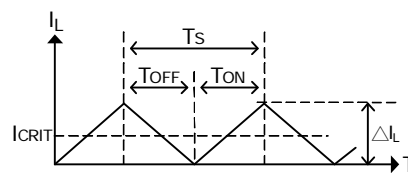
$$D_{(MIN)} = \frac{V_{OUT}}{V_{IN(MAX)}} = \frac{T_{ON}}{T_S} ; 0 \leq D \leq 1$$

(2) Define a value of minimum current that is approximately 10%~30% of full load current to maintain continuous conduction mode, usually referred to as the critical current (I_{CRIT}).



$$I_{CRIT} = \delta \times I_{LOAD} ; \delta = 0.1 \sim 0.3$$

(3) Calculate the inductor ripple current (ΔI_L). In steady state conditions, the inductor ripple current increase, (ΔI_{L+}), during the ON time and the current decrease, (ΔI_{L-}), during the OFF time must be equal.



$$\Delta I_L = 2 \times I_{CRIT}$$

(4) Calculate the minimum value of inductor use maximum input voltage. That is the worst case condition because it gives the maximum ΔI_L .

$$L \geq \frac{[V_{IN(MAX)} - I_{LOAD} \times (R_{DS(ON)} + R_L) - V_{OUT}] \times D_{(MIN)}}{\Delta I_L \times f_s}$$

This formula can be simplified to

$$L \geq \frac{(V_{IN(MAX)} - V_{OUT}) \times D_{(MIN)}}{\Delta I_L \times f_s}$$

The higher inductance results in lower output ripple current and ripple voltage. But it requires larger physical size and price.

(5) Calculate the inductor peak current and choose a suitable inductor to prevent saturation.

$$I_{L(PEAK)} = I_{LOAD} + \frac{\Delta I_L}{2}$$

Coil inductors and surface mount inductors are all available. The surface mount inductors can reduce the board size but they are more expensive and its larger DC resistance results in more conduction loss. The power dissipation is due to the DC resistance can be calculated as below:

$$P_{D_INDUCTOR} = I_{LOAD}^2 \times R_L$$

Output Capacitor Selection

The functions of the output capacitor are to store energy and maintain the output voltage. The low ESR (Equivalent Series Resistance) capacitors are preferred to reduce the output ripple voltage (ΔV_{OUT}) and conduction loss. The output ripple voltage can be calculated as below:

$$\Delta V_{OUT} = \Delta I_L \times \left(ESR + \frac{1}{8 \times f_s \times C_{OUT}} \right)$$

Choose suitable capacitors must define the expectative value of output ripple voltage first.

The ESR of the aluminum electrolytic or the tantalum capacitor is an important parameter to determine the output ripple voltage. But the manufacturers usually do not specify ESR in the specifications. Assuming the capacitance is enough results in the output ripple voltage that due to the capacitance can be ignored, the ESR should be limited to achieve the expectative output ripple voltage. The maximum ESR can be calculated as below:

$$ESR \leq \frac{\Delta V_{OUT}}{\Delta I_L}$$

Choose the output capacitance by the average value of the RC product as below:

$$C_{OUT} \approx \frac{50 \sim 80 \times 10^{-6}}{ESR_C_{OUT}}$$

If low ESR ceramic capacitor is used as output capacitor, the output ripple voltage due to the ESR can be ignored results in most of the output ripple voltage is due to the capacitance. Therefore, the minimum output capacitance can be calculated as below:

$$C_{OUT(MIN)} \geq \frac{\Delta I_L}{8 \times f_s \times \Delta V_{OUT}}$$

The capacitors' ESR and ripple current result in power dissipation that will increase the internal temperature. Usually, the capacitors' manufacturers specify ripple current ratings and should not be exceeded to prevent excessive temperature shorten the life time. Choose a smaller inductor causes higher ripple current which maybe result in the capacitor overstress. The RMS ripple

current flowing through the output capacitor and power dissipation can be calculated as below:

$$I_{RMS} = \frac{\Delta I_L}{\sqrt{12}} = \Delta I_L \times 0.289$$

$$P_{D_COUT} = I_{RMS}^2 \times ESR$$

The capacitor's ESL (Equivalent Series Inductance) maybe causes ringing in the low MHz region. Choose low ESL capacitors, limiting lead length of PCB and capacitor, and parallel connecting several smaller capacitors to replace with a larger one will reduce the ringing phenomenon.

Input Capacitor Selection

The input capacitor is required to supply current to the regulator and maintain the DC input voltage. Low ESR capacitors are preferred those provide the better performance and the less ripple voltage.

The input capacitors need an adequate RMS current rating. It can be calculated by following formula and should not be exceeded.

$$I_{RMS_CIN} = I_{LOAD(MAX)} \times \sqrt{D \times (1 - D)}$$

This formula has a maximum at $V_{IN}=2V_{OUT}$. That is the worst case and the above formula can be simplified to:

$$I_{RMS_CIN} = \frac{I_{LOAD(MAX)}}{2}$$

Therefore, choose a suitable capacitor at input whose ripple current rating must greater than half of the maximum load current.

The input ripple voltage (ΔV_{IN}) mainly depends on the input capacitor's ESR and its capacitance. Assuming the input current of the regulator is constant, the required input capacitance for a given input ripple voltage can be calculated as below:

$$C_{IN} = \frac{I_{LOAD(MAX)} \times D \times (1 - D)}{f_s \times (\Delta V_{IN} - I_{LOAD(MAX)} \times ESR)}$$

If using aluminum electrolytic or tantalum input capacitors, parallel connecting 0.1uF bypass capacitor as close to the regulator as possible. If using ceramic capacitor, make sure the capacitance is enough to prevent the excessive input ripple current.

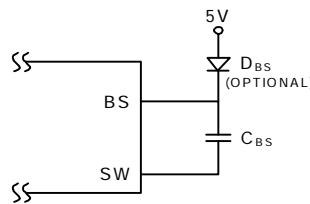
The power dissipation of input capacitor causes a small conduction loss can be calculated as below:

$$P_{D_CIN} = (I_{RMS_CIN})^2 \times ESR$$

Bootstrap Capacitor and Optional Bootstrap Diode

The bootstrap capacitor (C_{BS}) provides the gate driver voltage for the high side switch. It will be charged while the high side switch is off. The recommended capacitance of C_{BS} is 10nF~1uF.

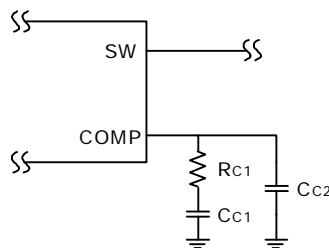
If the input voltage is lower than 5V or duty cycle is more than 65%, add an external bootstrap diode (D_{BS}) between an external 5V and BS is recommended for efficiency improvement. The D_{BS} can be a low cost one such as 1N4148 or BAT54, and the external 5V can be a 5V fixed voltage from system or 5V output of LA8508A.



Loop Compensation Design

The current mode control scheme provides the faster transient response and easy to compensate because of eliminates the double pole of the output L-C filter. The system stability and transient response are controlled by compensation pin (COMP) that is the output of the transconductance error amplifier. The R-C network between COMP and GND sets pole-zero compensation to shape the close loop transfer function to get desired gain and phase.

The goal of the compensation design is to have a higher DC gain, enough phase margin, and higher bandwidth. The following figure shows the related components of the compensation loop.



With current mode, the buck power stage can be simplified to be a 1 pole and 1 zero. The compensation network provides 2 poles and 1 zero. They are determined by the following formulas:

The DC loop gain is:

$$A_{VDC} = G_{CS} \times A_{VEA} \times \frac{V_{FB}}{I_{LOAD}}$$

The pole (f_{P1}) of the buck power stage due to the output capacitor, the load current, and the output voltage is:

$$f_{P1} = \frac{I_{LOAD}}{2\pi \times C_{OUT} \times V_{OUT}}$$

The zero (f_{z1}) of the buck power stage due to the output capacitor and its ESR is:

$$f_{z1} = \frac{1}{2\pi \times C_{OUT} \times ESR}$$

The pole (f_{p2}) due to the compensation capacitor (C_{C1}) and the output resistance of the error amplifier is:

$$f_{p2} = \frac{1}{2\pi \times C_{C1} \times (R_{C1} + \frac{AVEA}{GEA})} \approx \frac{GEA}{2\pi \times C_{C1} \times AVEA}$$

The zero (f_{z2}) due to the compensation capacitor (C_{C1}) and the compensation resistor (R_{C1}) is:

$$f_{z2} = \frac{1}{2\pi \times C_{C1} \times R_{C1}}$$

The pole (f_{p3}) due to the second compensation capacitor (C_{C2}) and the compensation resistor (R_{C1}) is:

$$f_{p3} = \frac{1}{2\pi \times C_{C2} \times R_{C1}}$$

The system crossover frequency (f_c) is defined to be the frequency where the feedback loop has unity gain. It is also called the bandwidth of the converter. Lower bandwidth causes poor transient response while higher bandwidth could cause system unstable.

In general, set the crossover frequency to be less than 1/10 of the switching frequency is recommended.

The loop compensation design guides are as below:

(1) Choose the compensation resistor (R_{C1}) to set the crossover frequency that should be less than 1/10 of the switching frequency. The R_{C1} can be calculated by the following formula:

$$R_{C1} = f_c \times \frac{V_{OUT}}{V_{FB}} \times \frac{2\pi \times C_{OUT}}{GEA \times G_{CS}}$$

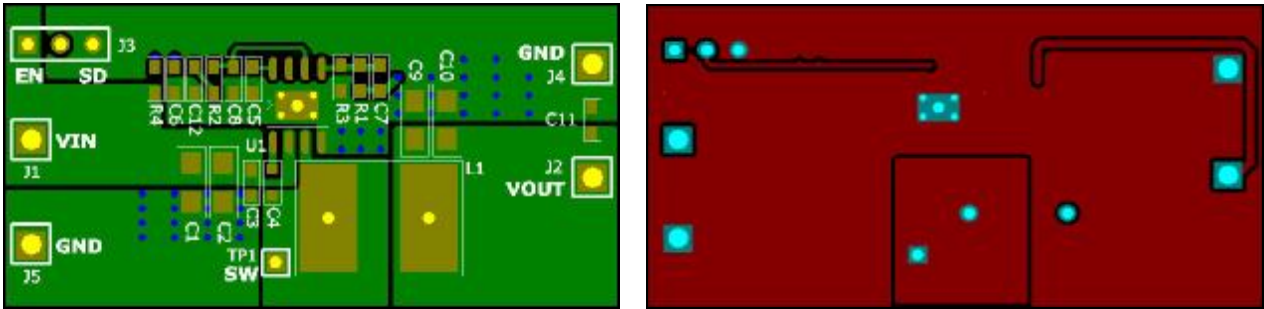
(2) Choose the compensation capacitor (C_{C1}) to achieve the desired phase margin. For applications with typical inductor values, setting the compensation zero (f_{z2}) to be less than 1/4 of the crossover frequency provides sufficient phase margin. The C_{C1} can be calculated by the following formula:

$$C_{C1} = \frac{2}{\pi \times R_{C1} \times f_c}$$

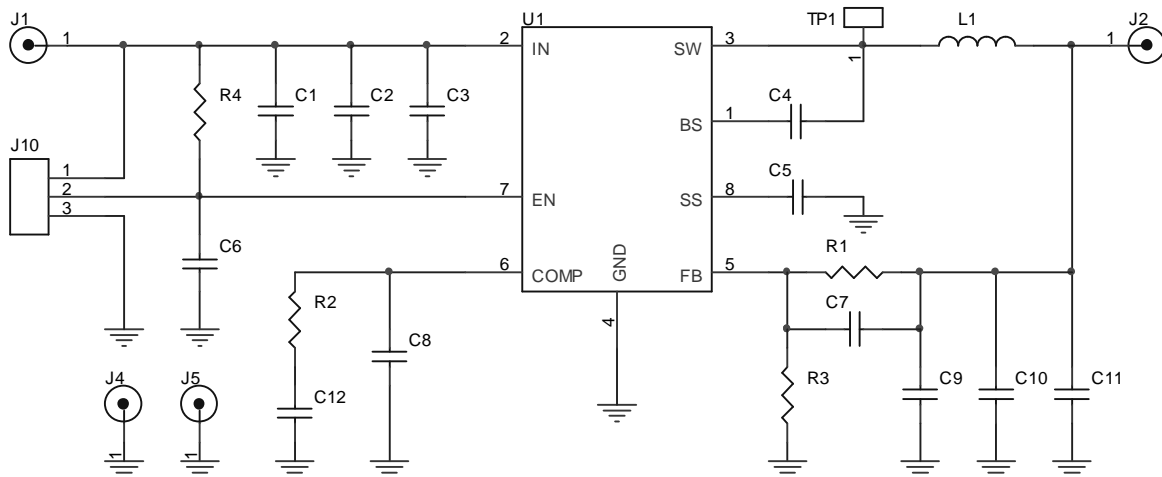
(3) The second compensation capacitor (C_{C2}) is required if the ESR zero (f_{z1}) of the output capacitor is located at less than 1/2 of the switching frequency. If required, add the C_{C2} to set the compensation pole (f_{p3}) at location of the ESR zero (f_{z1}). The C_{C2} can be calculated by the following formula:

$$C_{C2} = \frac{C_{OUT} \times ESR}{R_{C1}}$$

Evaluation Board Layout



Evaluation Board Schematic

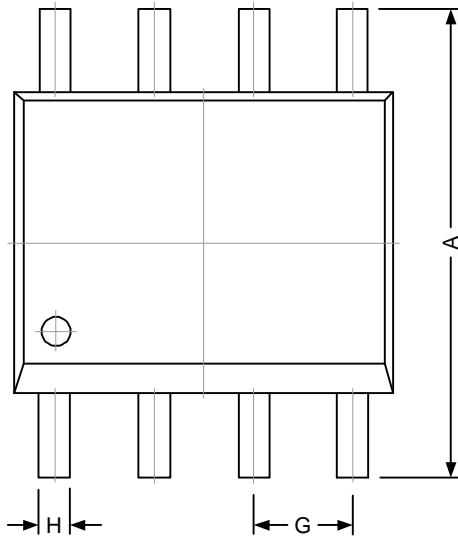


Key Components Supplier

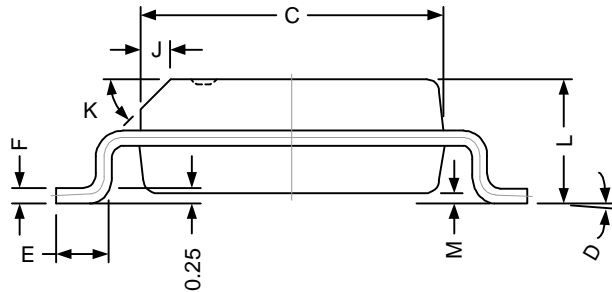
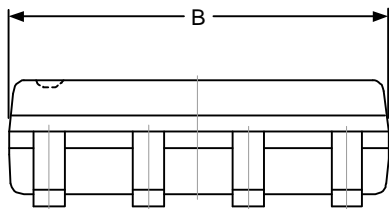
| Item | Manufacturer | Website |
|----------------------------|------------------|--|
| Inductor (L) | Chilisin | www.chilisin.com.tw |
| | WE | www.we-online.com |
| Electrolytic Capacitor (C) | Nippon Chemi-Con | www.chemi-con.co.jp |
| | Jamicon | www.jamicon.com.tw |
| SMD Capacitor (C) | Yageo | www.yageo.com |
| | Taiyo Yuden | www.yuden.co.jp |
| SMD Resistor (R) | Yageo | www.yageo.com |

Package Outline

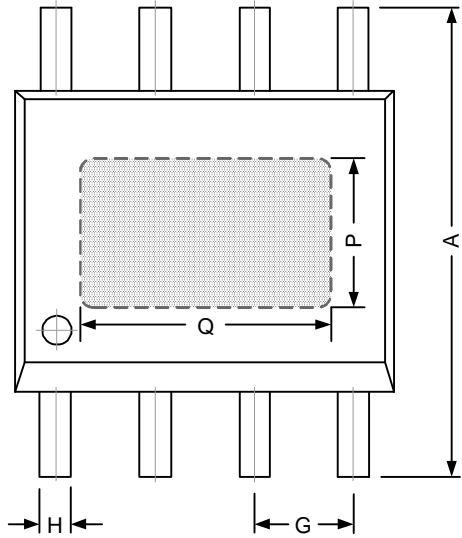
SOP-8



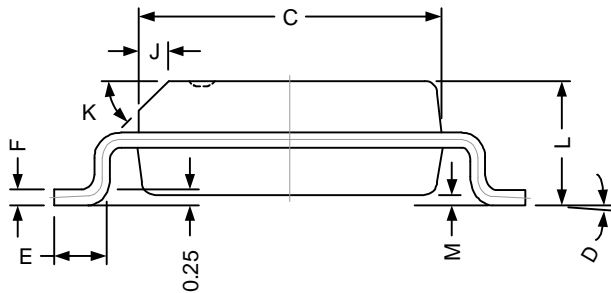
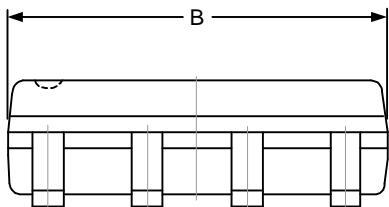
| REF. | DIMENSIONS | |
|------|------------|------|
| | Millimeter | |
| | Min. | Max. |
| A | 5.80 | 6.20 |
| B | 4.80 | 5.00 |
| C | 3.80 | 4.00 |
| D | 0° | 8° |
| E | 0.40 | 0.90 |
| F | 0.19 | 0.25 |
| M | 0.10 | 0.25 |
| H | 0.35 | 0.49 |
| L | 1.35 | 1.75 |
| J | 0.375 REF. | |
| K | 45° | |
| G | 1.27 TYP. | |



ESOP-8



| REF. | DIMENSIONS | |
|------|------------|------|
| | Millimeter | |
| | Min. | Max. |
| A | 5.80 | 6.20 |
| B | 4.80 | 5.00 |
| C | 3.80 | 4.00 |
| D | 0° | 8° |
| E | 0.40 | 0.90 |
| F | 0.19 | 0.25 |
| M | 0.10 | 0.25 |
| H | 0.35 | 0.49 |
| L | 1.35 | 1.75 |
| P | 2.30 | 2.50 |
| Q | 3.20 | 3.40 |
| J | 0.375 REF. | |
| K | 45° | |
| G | 1.27 TYP. | |



NOTICE

The specifications and product information of INNO-TECH Co., Ltd. are subject to change without any prior notice, and customer should contact INNO-TECH Co., Ltd. to obtain the latest relevant information before placing orders and verify that such information is current and complete.

The information provided here is believed to be reliable and accurate; however INNO-TECH Co., Ltd. makes no guarantee for any errors that appear in this document.

LIFE SUPPORT POLICY

INNO-TECH products are not designed or authorized for use as critical components in life support devices or systems without the express written approval of the president of INNO-TECH Co., Ltd. As used herein:

1. Life support devices or systems are devices or systems which, (a) are intended for surgical implant into the body, or (b) support or sustain life, and (c) whose failure to perform when properly used in accordance with instructions for use provided in the labeling, can be reasonably expected to result in a significant injury of the user.
2. A critical component in any component of a life support device or system whose failure to perform can be reasonably expected to cause the failure of the life support device or system, or to affect its safety or effectiveness.